

DCC150 Series DC/DC Voltage Converter



Benefits

- Ultra-Quiet
- Power sensitive electronics without interference
- Rugged & Reliable
- Ensure years of safe and trouble free operation

Applications

- Marine / Automotive / RV
- Electric Utilities and Substations
- Telecom Power Plants
- Manufacturing Locations
- Steel Mills
- Military Applications (COTS)
- Industrial Controls
- OEM Applications
- Solar / Alternative Power Systems
- Fuel Cells

DC/DC Converters

DCC150 Single-Output DC Converter

Description

The DCC150 Series of DC/DC converters uses high frequency push-pull forward topology to generate 150W of output power.

Virtually any DC output is possible with short delivery times. This design features low component count and high efficiency.

The use of high quality components and rigorous quality control results in an MTBF exceeding 100,000 hours at 45°C.

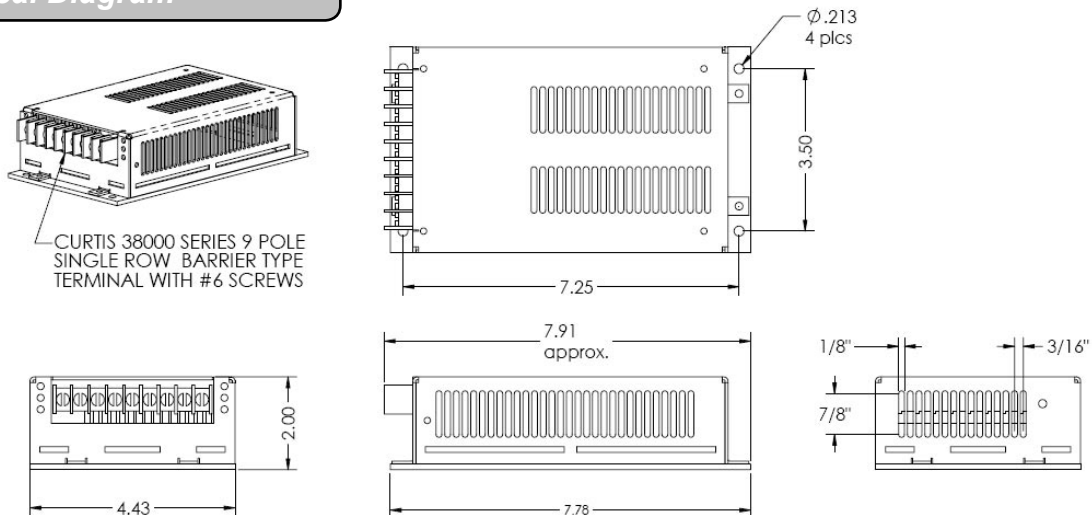
Please note a 12VDC input version is available, output power is de-rated to 100W

Features

- Compact size - 3U x 160mm x 8 12HP or enclosed
- Up to 150W output with convection cooling
- Full electronic protection
- Telecom quality
- Field-proven design
- Also available as plugin module
- n+1 redundancy available
- 1 year parts and labour warranty

Specifications (Specifications Subject to Change Without Notice)

Mechanical Diagram



ALL DIMENSIONS ARE IN INCHES

Specifications

Input Voltage range	24V or 48VDC \pm 15% 12VDC also available: output de-rated to 100W
Input Protection	Thermal Fuse Inrush current limiting
Input Isolation	1500VDC input to chassis 1500VDC input to output 500VDC output to chassis
Output Voltages	Virtually any DC output from 12V to 125VDC 24V/6A and 48V/3A standard (Consult factory for other voltages)
Line / Load Regulation	\pm 1% combined
Output Overvoltage Protection	Double regulator loop
Overload Protection	Current limiting with short circuit protection Self-resetting thermostat for thermal protection
Efficiency	Typical 80% at full load
RFI Suppression	EN 55022 Class A conducted emissions as minimum
Output Ripple/Noise	Better than 1% of output voltage peak to peak or 0.2% RMS of the output voltage (20HZ BW)
Operating Temperature	0 to +50°C with sufficient convection airflow. Enclosed unit must be mounted on a heat sinking surface. Extended temperature range available
Temperature Drift	0.03% per °C over operating temperature range
MTBF	>100'000 @ 45°C
Connections	H15 connector for Eurocard / Screw type terminal block for enclosed version.
Dimensions	Eurocard 3Ux160mmx8 .. 12HP Enclosed package (F1): 197mm x 112mm x 110mm (7.775" x 4.425" x 2.00")
Weight	1.4kg
Safety	Full compliance to IEC950, CSA 22-2-950 and UL 1950 Please contact factory for approval status for the requested input/output configuration
Warranty	1 year

Available from:

RIPEnergy®

The power conversion company

RIPEnergy AG
Talstrasse 2
CH-8702 Zollikon
Switzerland

Ph +41-(0)43-818 53 85
Fax +41-(0)43-818 53 87
www.ripenergy.ch