

Sinewave Inverter - Charger (Combi-Unit)



Sealed GFX



Pure sinewave



Charger



Transfer switch



Stand-by mode



Remote control port



Extended temperature range



Multiple electronic protection



Waterproof



Programmable (optional)



Digital display (optional)

Applications

- Marine & other rugged environments
- Electric Utilities and Substations
- Base Station Power
- Industrial Controls
- Emergency Power Backup (UPS)
- Tropical climates
- Demanding environments

Sinewave Inverter

Series Outback GFX

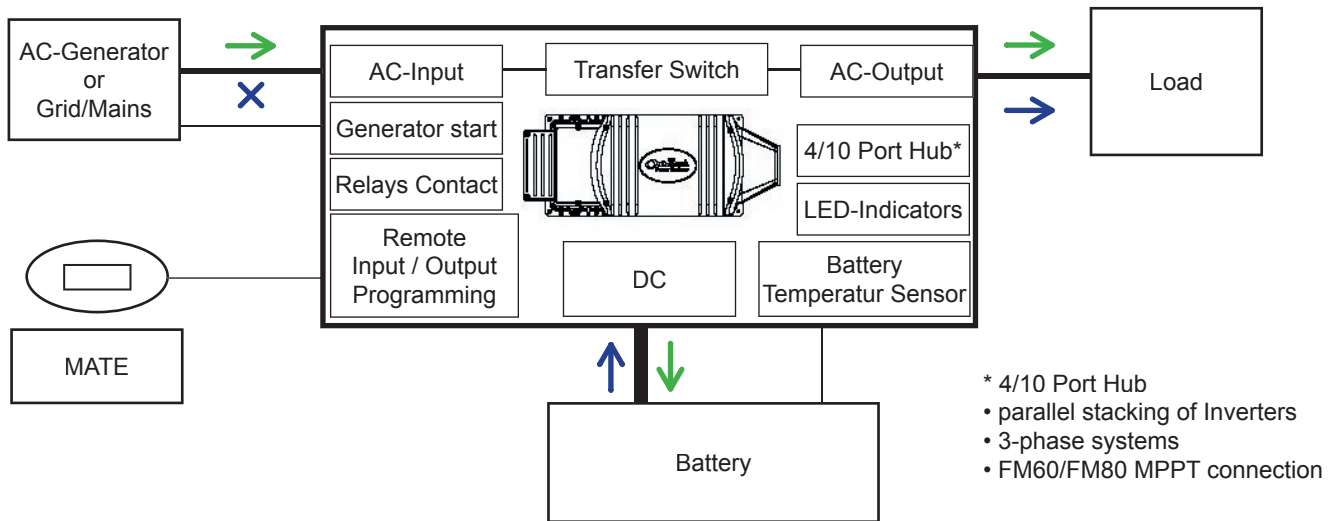
Description

The true sinewave GFX Series Inverter/Charger, is a competitive power solution designed for applications with lower power demands. Incorporating a DC-to-AC sinewave inverter, battery charger and AC transfer relay housed within a die-cast aluminium chassis, the Series GFX Inverter/Chargers give you the ability to sell solar, wind or hydro power back to the utility grid while providing instantaneous back-up power in the event of a utility outage. The GFX Series is designed for use in countries that have utility grids with nominal AC voltages of 230 VAC / 50Hz. Our built in transfer relay automatically disconnects your loads from the utility grid and powers them from the inverter in the event of an outage, allowing you to continue using your solar and battery back-up power, unlike traditional grid-tie systems. For areas that frequently experience power instability such as surges, Spikes or brownouts, or where Standard inverters have trouble syncing to the utility grid, the GFX Series grid reconnect timers have been shortened to reduce overall sell-back downtime and improve system functionality. Intelligent multi-stage battery charging prolongs the life of your batteries and built-in networked communications allow for simultaneous communications of up to ten OutBack Power components within the system. The exclusive modular System architecture means that increased power output is just an additional inverter/charger away. Our GFX International Series uses a sealed chassis that can operate in the harshest environmental conditions such as high humidity and corrosive salt air.

Features

- Grid-Tie, Back-up or Standalone Power
- Intelligent Battery Charging with Generator Support
- 1.4 kVA Continuous Power Output
- High Surge and Charger Ratings
- 3-Phase 400VAC Capable
- Sealed Chassis For Harsh Environments
- Waterproof to IP 62
- Corrosion Resistant Internal Components
- Remote control optional available
- Programmable parameters

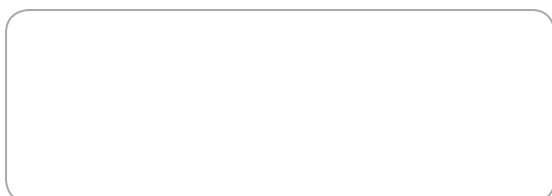
Block Diagram



Specifications (Specifications Subject to Change Without Notice)

Inverter/Charger Model		GFX1312E	GFX1424E	GFX1448E
Electrical Specifications Inverter				
Nominal DC-Input Voltage	VDC	12	24	48
DC-Input Range (adjustable low battery cut-out)	VDC	10.5 - 17	21 - 34	42 - 68
Nominal AC-Output	VAC / Hz		230 / 50	
Output Voltage Regulation	%		+/- 2 Typ	
Continuous Power Rating at 25° C	VA	1300	1400	1400
Derating	VA/°C		-20 above 25° C ambient temperature	
Overload (from 25° C start) 30min	VA	1800	2000	2000
Overload (from 25° C start) 5 sec	VA	2900	2900	2900
Overload (from 25° C start) surge 100 ms	VA	4600	4600	4600
Continuous AC-Output	AAC RMS	5.65	6.09	6.09
Maximum Output Current 1 ms	AAC Peak	28	28	28
Maximum Output Current 100ms	AAC RMS	20	20	20
Typical Efficiency	%	90	92	93
Total Harmonic Distortion (typ/max)	%		2 / 5	
Idle Power (Sleep ~6VA)	VA		~18	
Electrical Specifications Charger				
AC-Input Voltage Range	VAC		140 - 280	
AC-Input Frequency Range	Hz		45 - 55	
AC-Input Current max (adjustable limits)	AAC		30	
Continuous Battery Charge Current (adjustable)	ADC	70	40	20
Specifications Transferswitch				
Current capacity	AAC		30	
Other Specifications				
Operating temperature range	°C		- 40 to 60	
Dimensions (LxWxH)	cm		41 x 21 x 33	
Shipping weight	Kg		28.4	

Available from:



RIPEnergy

The power conversion company

RIPEnergy AG
Wägitalstrasse 24
CH-8854 Siebnen
Switzerland

Ph +41-(0)43-818 53 85
Fax +41-(0)43-818 53 87
www.ripenergy.ch

Version 1.06.17