

Sinewave Inverter - Charger (Combi-Unit)



Pure sinewave



Charger



Transfer switch



Stand-by mode



Remote control port



Extended temperature range



Multiple electronic protection



Waterproof



Programmable (optional)



Digital display (optional)

Applications

- Marine & other rugged environments
- Electric Utilities and Substations
- Base Station Power
- Industrial Controls
- Emergency Power Backup (UPS)

Specialty designed for:

- Tropical climates
- Demanding environments

Sinewave Inverter

Series Outback Extreme FX

Description

The OutBack Extreme Series Inverter/Charger is a highly reliable all-in-one power solution. Incorporating rugged components not available in regular „commercial off the shelf“ inverter/chargers, the OutBack Extreme Series Inverter/Charger can survive harsh environmental conditions including extreme shaking and vibration.

Our true sinewave inverter/charger uses intelligent battery charging and has an integrated AC transfer switch with automatic neutral/ground switching for mobile applications. The OutBack Extreme Series Inverter/Charger produces low distortion AC power for all of your mobile electrical needs and industry leading surge power starts multiple heavy loads simultaneously.

Our integrated building block architecture allows you to expand your system from 2 to 36 kW and user defined settings allow your system to operate at 230 VAC or 230Y400 VAC three-phase by stacking multiple inverter/chargers together.

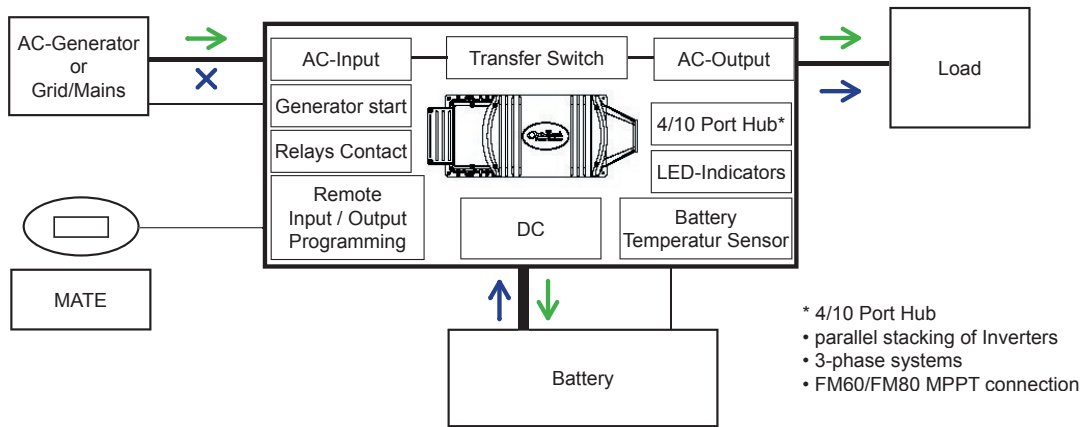
OutBack's Sealed OutBack Extreme Series Inverter/Charger is considered the most rugged design in the world.

Conformal coated circuit boards, a powder coated die-cast aluminum chassis protects the unit's internal components from the environment, resisting water and corrosion. Simply put, the sealed OutBack Extreme Series is designed to work where other inverter/chargers were never intended to go.

Features

- Ruggedized / Tropicalized
- FX-Version waterproof to IEC529, IP 64
- Bug-proof Construction
- Environmentally Tolerant
- High Temperature Tolerant
- 5-Stage charge regulation mode (bulk, absorb, float, silent, manual EQ)
- Built-in 30A AC-Transferswitch
- Networked communications
- Programmable AUX output
- Programmable generator start (Relaiscontact)
- Smooth, true sinewave AC output
- Remote control optional available
- Programmable parameters

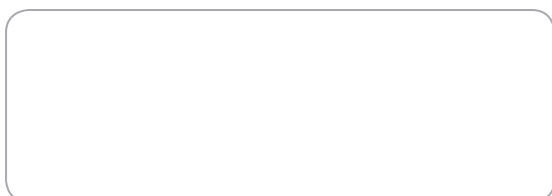
Block Diagram



Specifications (Specifications Subject to Change Without Notice)

Inverter/Charger Model	OBX-IC2024P-230/50	
Electrical Specifications Inverter		
Nominal DC-Input Voltage	VDC	24
DC-Input Range (adjustable low battery cut-out)	VDC	21 - 34
Nominal AC-Output	VAC / Hz	230 / 50 (120 / 60 Version available)
Output Voltage Regulation	%	+/- 2 Typ
Continuous Power Rating at 25° C	VA	2000
Overload (from 25° C start) 30min	VA	3100
Overload (from 25° C start) 5 sec	VA	4800
Overload (from 25° C start) surge	VA	5750
Continuous AC-Output	AAC RMS	8.7
Maximum Output Current	AAC Peak	35
Maximum Output Current	AAC RMS	25
Efficiency at 75% power & 25° C	%	92
Total Harmonic Distortion (typ/max)	%	2 / 5
Idle Power Full	W	20
Idle Power Sleep	W	2.6
Electrical Specifications Charger		
AC-Input Voltage Range	VAC	160 - 300
AC-Input Frequency Range	Hz	44 - 56
AC-Input Current max (adjustable limits)	AAC	30
Continuous Battery Charge Current (adjustable)	ADC	55
Charge Characteristics	5-stage (bulk, absorb, float, silent, manual EQ)	
Battery temperature compensation	VDC	0.1/°C
Recommended Battery Cable	#2/0AWG	
Recommended Battery Types	Flooded lead acid, AGM, gel	
Specifications Transferswitch		
Current capacity	AAC	30
Other Specifications		
Certifications	Meets parts of MIL STD 810 and MIL STD 1275D Wheeled & Tracked Profiles	
Fan	Load and temperature controlled	
Operating temperature range	°C	- 40 to +60 derating 20W per 1°C above 25°C
Dimensions (LxWxH)	cm	41 x 21 x 33
Shipping weight	Kg	30

Available from:



RIPEnergy®

The power conversion company

RIPEnergy AG
 Wägitalstrasse 24
 CH-8854 Siebnen
 Switzerland

Ph +41-(0)43-818 53 85
 Fax +41-(0)43-818 53 87
 www.ripenergy.ch