

Pure Sinewave Inverter 3000VA low profile



Benefits

- Quiet Operation
- Power for sensitive electronics, without interference
- Pure Sinewave Output
- Multiple electronic protection functions
- Remote Panel available
- Light weight and compact size
- Rugged & Reliable
- Years of safe and trouble free operation

Applications

- Telecom Power Plants
- Marine & other rugged environments
- Electric Utilities and Substations
- Base Station Power
- Industrial Controls
- Solar Home Systems
- Fuel Cell Applications
- Solar / Alternative Power Systems
- Emergency Power Backup (UPS)
- Pleasure and holidays
- Development aid

Sinewave Inverter

Series PSW3000-1U

Description

The model PSW3000-1U pure sinewave inverter supplies a 230VAC output voltage either from a 12V, 24V, or 48 VDC power source. The shape of the output voltage is pure sinewave - as from the grid.

All new High Frequency Switching Design offers high power and reliability in a compact package and light weight. Extra input and output filtering reduce EMI to extremely low levels. Reliability features include an input fuse, thermal shutdown, current limiting and output short circuit shutdown with automatic recovery.

The input and output is fully isolated.

The superb overload capability supplies short time peak power to start heavy equipment such as pumps and compressors.

The unit is equipped with an automatic bypass function < 6ms.

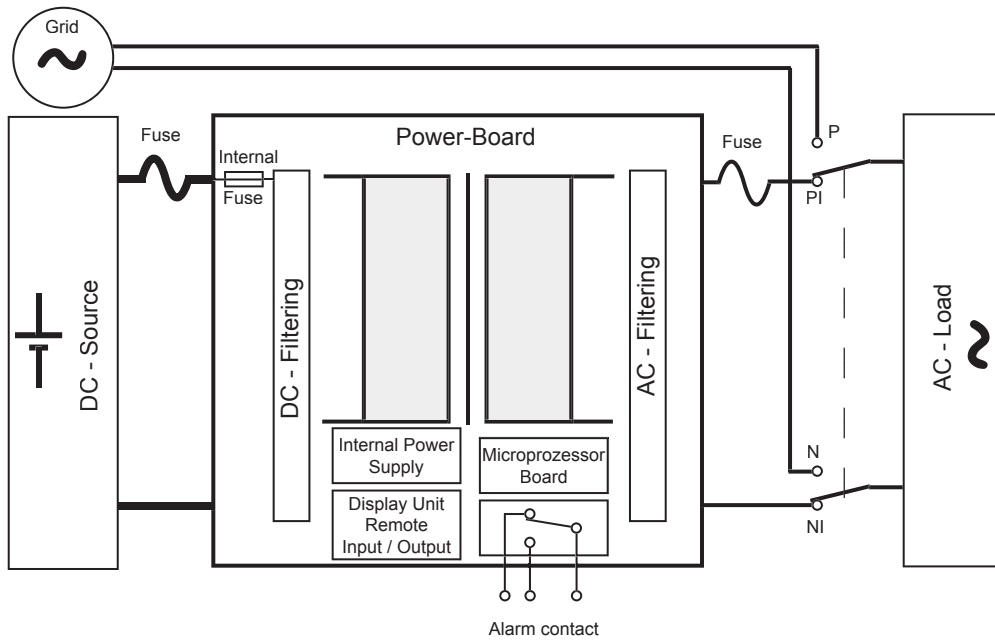
Optional: Remote Control

Ruggedizing (against shock and vibration)

Features

- Pure sine wave output (THD < 3%) R Load
- No derating of output power up to +50°C
- By pass function 4-6ms
- Isolated Alarm Contact
- Output voltage / frequency selectable
- RS-485, RS-232C interface / remote controls port / Wire connection to PC
- Compact design, low profile
- Temperature and load controlled cooling fan
- Advanced microprocessor
- Protection: Input low voltage, Input over voltage, Short circuit, Overload, Over temperature
- Low battery alarm
- Digital display: VAC, VDC, AAC, Watts, Temp, Frequency, KVA, PF
- Low ripple on the DC-Input to save battery life time
- 24 month parts and labour warranty

Block Diagram



Specifications (Specifications Subject to Change Without Notice)

Electrical (output)

Nominal VAC	200 - 220 - 230 - 240 (selectable) +/- 3%
Output Frequency	50Hz - 60Hz (selectable) +/- 0.05%
Nominal power	2550W (3000VA) continuous
Power for 1 min.	3060W
Power for 20 sec.	3260W
Output Waveform	Pure Sinewave <3% THD (R Load)

Environmental Specifications

Operating Temp. Range	-30° to +60°C @ maximum output > 50°C derating 2% per °C Thermal Shutdown @ +90°C
Humidity	0 - 95% Relative Humidity (non-condensing)
Audible Noise	NONE, 0db @ 1m (Fan OFF)
Fan	Load and temperature controlled
Isolation	Input-Output 1100VDC, Input-Case 1100VDC Output-Case 500VDC
Indicators/Display	VDC, VAC, AMP, WATT, Hz, TEMP, HZ, KVA, PF (selectable)
Alarm Indicators	OVP, UVP, OTP, OLP
Protection	Short circuit, Overload, Overtemperature, Overvoltage, Low voltage

Electrical (input)

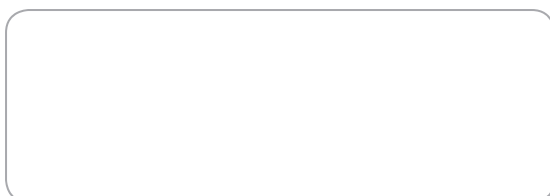
Nominal voltage (VDC)	12	24	48
Voltage range (VDC)	10 - 16	20 - 32	42 - 64
Amps @ Pnom (A)	287	142	69
Idle current 230V ON (A)	1.6	1.1	0.58
Efficiency max.	89%	91%	93%
Efficiency @full load	85%	88%	90%
Bypass AC Input (VAC)	180 - 260		
Bypass Frequency (Hz)	50 - 60		
Bypass Amps (A)	20		
Bypass (ms)	4 - 6		
Interface Control Port	RS485, RS-232C With Baud Rate 2400,4800, 9600, 19200 (Switch Selectable)		

Mechanical Specifications

Length	43 cm
Width	19"
Height	4.4 cm (1U)
Finish	Black Anodize / Powder Epoxy Coat
Weight	10.5 Kg
Connections	DC-clamps, AC-connector IEC60320-2
Warranty	2 years
Standards	Approval to CE

RoHS Compliant
Directive 2002/95/EC

Available from:



RIPEnergy

The power conversion company

RIPEnergy AG
Talstrasse 2
CH-8702 Zollikon
Switzerland

Ph +41-(0)43-818 53 85
Fax +41-(0)43-818 53 87
www.ripenergy.ch