

# Pure Sinewave Inverter 3000VA High Voltage



Pure sinewave



Digital display



Transfer switch



Remote control port



High frequency technology



Extended temperature range



Multiple electronic protection

## Applications

- Telecom Power Plants
- Marine & other rugged environments
- Electric Utilities and Substations
- Base Station Power
- Industrial Controls
- Solar Home Systems
- Fuel Cell Applications
- Solar / Alternative Power Systems
- Emergency Power Backup (UPS)
- Pleasure and holidays
- Development aid

## Sinewave Inverter

Series UPSW3000HV

### Description

The model UPSW3000HV pure sinewave inverter supplies a 230VAC output voltage either from a 110V or 220VDC power source. The shape of the output voltage is pure sinewave - as from the grid.

All new High Frequency Switching Design offers high power and reliability in a compact package and light weight. Extra input and output filtering reduce EMI to extremely low levels. Reliability features include an input fuse, thermal shutdown, current limiting and output short circuit shutdown with automatic recovery.

The input and output is fully isolated.

The superb overload capability supplies short time peak power to start heavy equipment such as pumps and compressors.

It is equipped with a power save circuitry using the auto sense method to detect a load connected to the output. The unit is equipped with an automatic bypass function < 6ms.

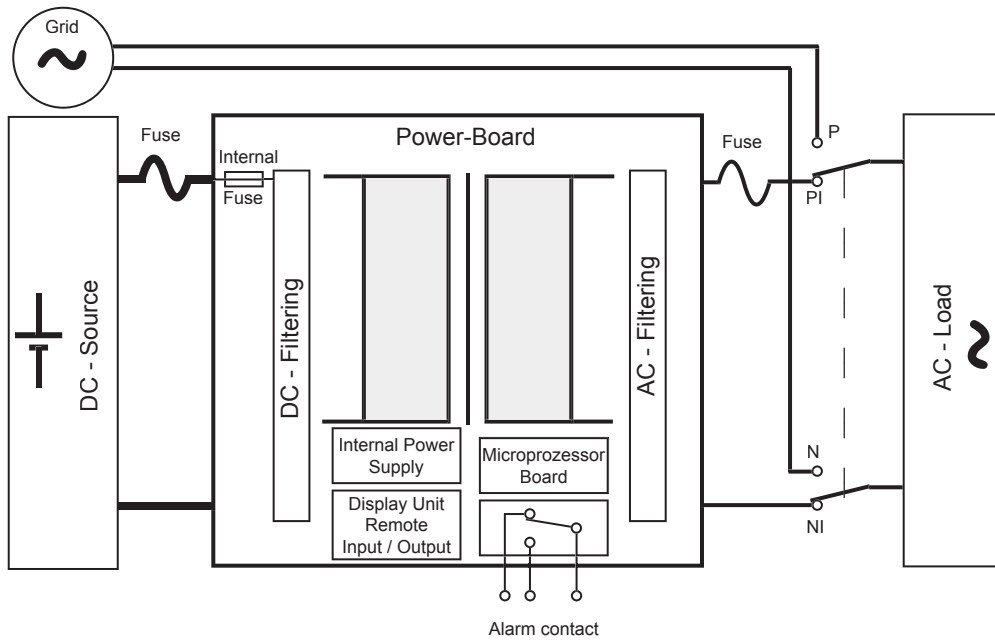
Optional: Remote Control

Ruggedizing (against shock and vibration)

### Features

- Pure sine wave output (THD < 3%) R Load
- No derating of output power up to +50°C
- By pass function 4-6ms
- Online or Offline UPS function (selectable)
- Isolated Alarm Contact
- Output voltage / frequency selectable
- RS-232C interface / remote controls port / Wire connection to PC
- Compact design, low profile
- Temperature and load controlled cooling fan
- Advanced microprocessor
- Protection: Input low voltage, Input over voltage, Short circuit, Overload, Over temperature
- Low battery alarm
- Digital display: VAC, VDC, AAC, Watts, Temp, Frequency
- Power save mode with auto sense
- Low ripple on the DC-Input to save battery life time
- 24 month parts and labour warranty

## Block Diagram



## Specifications ( Specifications Subject to Change Without Notice )

### Electrical (output)

Model	110	220
Nominal VAC	200 - 240 (adjustable) +/-3%	
Output Frequency	50Hz - 60Hz (selectable) +/- 0.05%	
Continuous power	2550W	
Power for 1 min.	2805W	
Power for 20 sec.	3060W	
Output Waveform	Pure Sinewave <3% THD (R Load)	

### Environmental Specifications

Operating Temp. Range	-30° to +60°C @ maximum output > 50°C derating 2% per °C Thermal Shutdown @ +90°C
Humidity	0 - 95% Relative Humidity (non-condensing)
Audible Noise	Scarcely audible @ 1m (Fan OFF)
Fan	Load and temperature controlled
Isolation	Input-Output 2000VDC, Input-Case 1100VDC Output-Case 2000VDC
Indicators/Display	VDC, VAC, AMP, WATT, Hz (selectable)
Alarm Indicators	OVP, UVP, OTP, OLP
Isolated Alarm Contact	Switching capacity 120VAC/5A , 30VDC/2A
Protection	Short circuit, Overload, Overtemperature, Overvoltage, Low voltage

### Electrical (input)

Nominal voltage (VDC)	110	220
Voltage range (VDC)	100 - 140	200 - 280
Amps @ Pnom (A)	30	15
Efficiency max.	94%	94%
Efficiency @full load	91%	92%
Bypass AC Input (VAC)	180 - 260	
Bypass Frequency (Hz)	50 - 60	
Bypass Amps (A)	20	
Bypass (ms)	4 - 6	
Interface Control Port	RS-232C With Baud Rate 2400,4800, 9600, 19200 (Switch Selectable)	

### Mechanical Specifications

Length	46 cm
Width	19"
Height	8.8 cm (2U)
Finish	Black Anodize / Powder Epoxy Coat
Weight	13.5 Kg
Connections	DC-clamps, AC-clamps and AC-connector IEC60320-2
Warranty	2 years
Standards	Approval to CE

RoHS Compliant  
Directive 2002/95/EC

Available from:



# RIPEnergy®

The power conversion company

RIPEnergy AG  
Wägitalstrasse 24  
CH-8854 Siebnen  
Switzerland

Ph +41-(0)43-818 53 85  
Fax +41-(0)43-818 53 87  
www.ripenergy.ch