

Pure Sinewave Inverter 200W

RoHS Compliant
Directive 2002/95/EC



Pure sinewave



High frequency technology



Light weight perfect for vehicles



Multiple electronic protection

Applications

- Telecom Power Plants
- Marine & other rugged environments
- Electric Utilities and Substations
- Base Station Power
- Industrial Controls
- Solar Home Systems
- Fuel Cell Applications
- Solar / Alternative Power Systems
- Emergency Power Backup (UPS)
- Pleasure and holidays
- Development aid

Sinewave Inverter

Series SWING pro 200W

Description

The model 200W pure sinewave inverter supplies a 230VAC output voltage either from a 12V, 24V or 48 VDC power source. The shape of the output voltage is pure sinewave - as from the grid.

All new High Frequency Switching Design offers high power and reliability in a compact package and light weight. Extra input and output filtering reduce EMI to extremely low levels.

Reliability features include short circuit protection, overvoltage protection, low input voltage protection, over-temperature protection.

The input and output is fully isolated. The superb overload capability supplies short time peak power to start heavy equipment such as pumps and compressors.

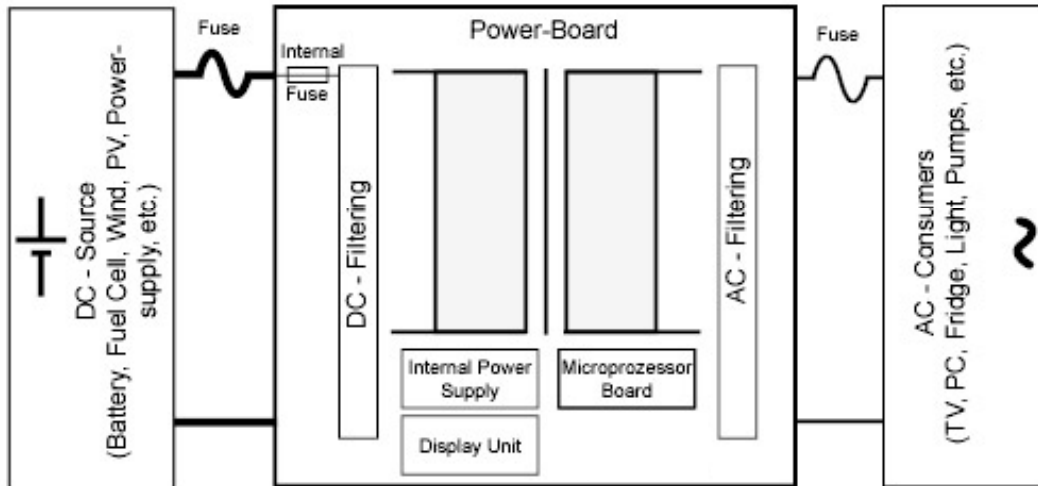
Features

- Fully Isolated Design
- Microprocessor controlled
- Frequency selectable 50 or 60Hz
- Outstanding efficiency at full load
- Crystal controlled output frequency
- Pure and fast regulated sinewave output
- LED-indicator for operating status and alarm
- Over-temperature protection
- Short circuit protection
- Low input voltage protection
- Cycle by cycle current limiting
- Softstart
- Load and temperature controlled fan
- 24 month parts and labour warranty

Options

- 115VAC output voltage

Block Diagram



Specifications (Specifications Subject to Change Without Notice)

Electrical (output)

Nominal (VAC)	230 +/- 3%
Frequency (Hz)	50 / 60 +/- 0.05% (selectable)
Nominal power (W)	200
Max. Power for 3 min. (W)	250
Peak Power (W)	400
Output Waveform	Pure Sinewave < THD 3%
Protection circuitry	Short circuit, Overload, Overtemperature
Indicators	Overload, Overtemperature
Power Factor	0.7 - 1 (COS Phi)

Environmental Specifications

Operating Temp. Range	-20° to +60°C Derating Linearly 4% per °C from 40°C
Humidity	0 - 95% Relative Humidity (non-condensing)
Audible Noise	Scarcely audible @ 1m (Fan OFF)
Fan	Load and temperature controlled
Isolation	Input-Output 1100VDC, Input-Case 1100VDC, Output-Case 500VDC

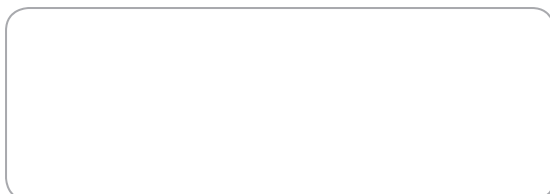
Electrical (input)

Nominal voltage (VDC)	12	24	48
Voltage range (VDC)	10 - 16	20 - 32	42-62
Amps @ Pnom (A)	18	9	4.5
Protection circuitry	Overvoltage, Lowvoltage		
Idle current 230V ON (A)	0.4	0.2	0.2
Efficiency max.	95%	96%	96%
Efficiency @full load	93%	94%	95%
Indicators	Overvoltage, Lowvoltage		

Mechanical Specifications

Length	23.0 cm
Width	11.9 cm
Height	7.1 cm
Clearance	2.5 cm all around
Material	Aluminium
Finish	Black Anodize / Powder Epoxy Coat
Weight	1.2 Kg
Connections	12V DC-Car-Plug, 24V and 48V DC-cable, SCHUKO or IEC AC-connector (IEC Connector supplied with inverter)
Warranty	2 years
Standards	Approval to CE, LVD

Available from:



RIPEnergy®

The power conversion company

RIPEnergy AG
Wägitalstrasse 24
CH-8854 Siebnen
Switzerland

Ph +41-(0)43-818 53 85
Fax +41-(0)43-818 53 87
www.ripenergy.ch